

Contact:



Michael Rach

Phone: +49 711/3405-432  
Fax: +49 711/3405-48432  
prototypen-lohnhonen@gehring.de  
gehring.de

Your request:



Phone: +49 711/3405-417  
Fax: +49 711/3405-48417  
<http://www.gehring.de/en-ww>

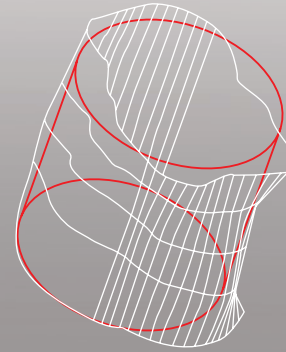
Gehring Technologies GmbH  
Prototyping and Job Honing  
Senefelderstrasse 19  
73760 Ostfildern



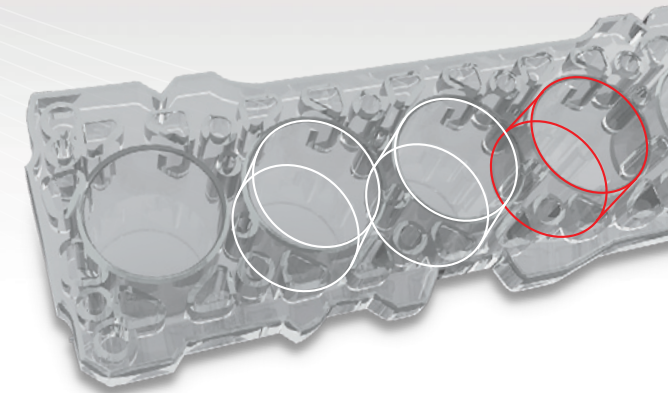
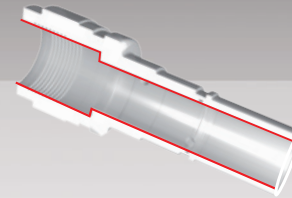
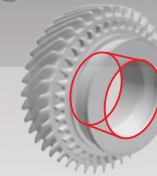
➔ Advanced Honing Technology

Trust in the technology leader with many years' experience and global presence!

Innovative technology combined with an economical mindset sets us apart.



Job Honing Prototyping  Gehring

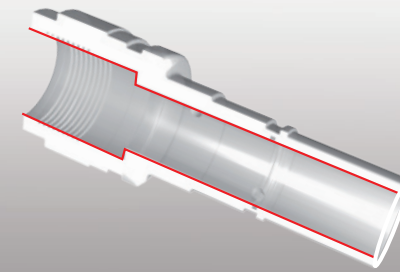
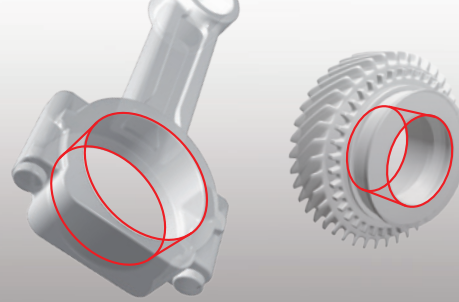
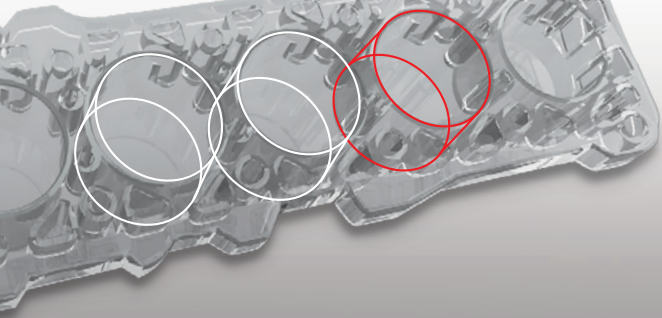


www.dege-kommunikation.de 09/2015



Gehring® Technologies GmbH • Gehringstrasse 28 • D-73760 Ostfildern  
Phone: +49 711/3405-0 • [info@gehring.de](mailto:info@gehring.de) • [www.gehring.de](http://www.gehring.de)

Use our expert knowledge and our experience to your advantage.



**No production or personnel capacity?  
Need to hone components?**

As a leading provider in the field of honing technology with 90 years of experience we are best equipped to assist you with your „honing problem“.

The advantages of contract honing are obvious:

- no investment costs
- no additional personnel resources
- cost-efficient and fast
- lean production
- benefit from our expert knowledge and experience
- short information paths by direct customer involvement
- initial sample test reports (VDA)
- feasibility studies

The following technologies are available for you:

- conventional honing
- rough honing
- position honing (of thermal coatings)
- ream honing
- spiral slide honing
- plateau honing
- coaxial honing
- form honing light
- honing of thermal coatings
- sigma honing
- honing of smallest bore diameters (0.8-3 mm)
- deburring
- laser structuring
- measuring services

**References:**

**Automotive industry**

- Audi
- BMW
- Daimler
- Fiat
- Ford
- General Motors
- Great Wall
- Hyundai Motor Company
- Jaguar
- Porsche
- Renault
- Scania
- Volkswagen
- Volvo

**Their suppliers**

- Alfing
- AVL
- Bosch
- Cengiz
- Federal Mogul
- Grainger & Worrall
- Hackerrodt
- Höckle
- Mahle
- Martinrea Honsel
- Pankl
- SaarOTEC
- Schumag
- Voith

**Prototype construction**

- ACTech
- HPP
- Shvabe
- IPT
- Spiess
- Tosch
- Weber

**Ship building**

- B&W
- MAN Augsburg
- Wärtsila

**Machine and tool making**

- Coperion
- Hassia
- Hänel
- Rota
- Sumitomo

**Manufacturers of hydraulic and pneumatic parts**

- Bosch Rexroth
- Hawe
- Hydropneu
- Linde



**Equipped for a wide range of components**

With our comprehensive machinery we are able to machine a wide range of components for you. The dimensions of the bores to be machined can be in the diameter range of 0.8 to 800 mm and can have a bore length of up to approx. 3,000 mm.