



Ensure Quality.  
Increase Productivity.





## *Outstanding Service*

Long term success requires an efficient product and perfect after-sales support during the entire life cycle. We offer you “complete support” in all service matters. With an entire range of various services, we support you in maintaining the productivity and efficiency of your honing machines. We have more than 50 experienced service technicians worldwide that guarantee fast and competent help at every location and at any hour.

# *Efficiency can be increased*

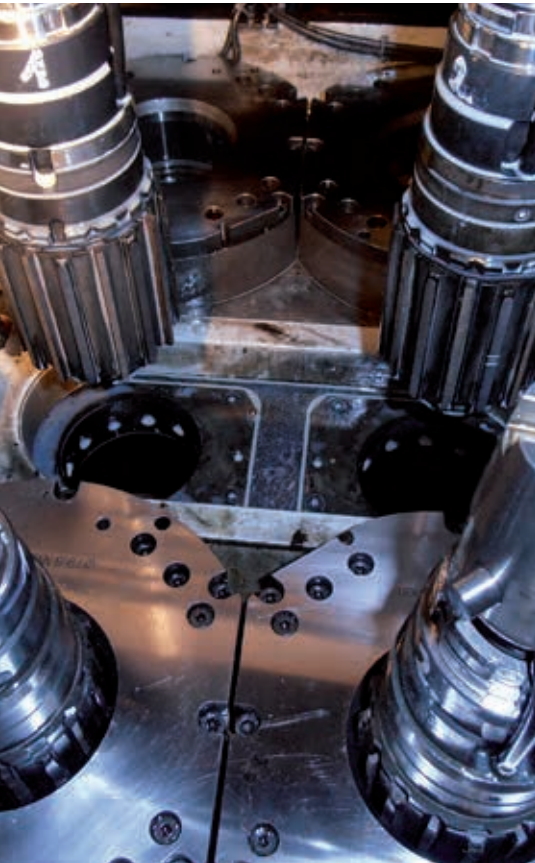
„Turn old into new“ – a wish that we have frequently made come true in practice. Our robust and practical honing machines, many of which have been in use for more than 30 years, still produce proven quality. Even older machines can be economically refitted for new tasks. An upgrade of the control system and important modules to the most current state of technology is self-evident at Gehrung.



Regardless whether a new part has to be machined or productivity and quality need to be increased, please contact us and we will assist you in finding the best solution.

✉ [retrofit@gehring.de](mailto:retrofit@gehring.de)  
☎ +49 711 3405-300





*Tool changer after retrofitting*



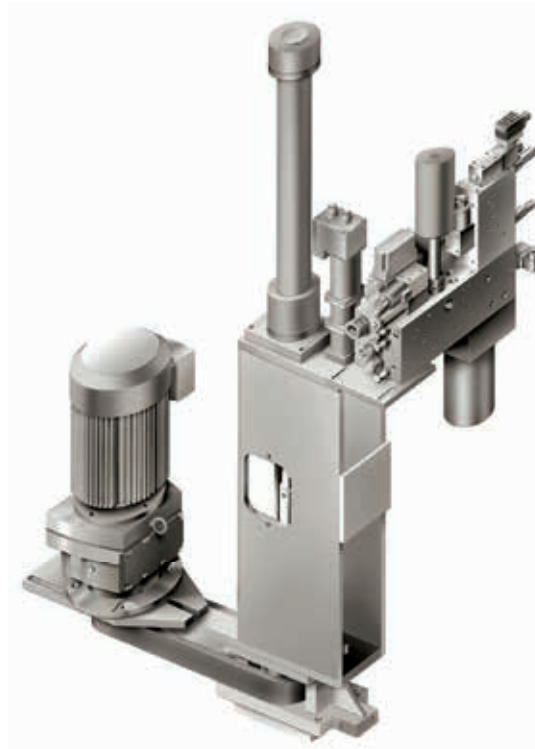
## *Retrofitting and Modernization*

With the possibility of modernizing the modular construction system, the efforts can be customized to your needs. The most important components that can be updated are:

- Infeed and discharge
- Transport
- SPS-Control
- Honing controls
- Fixtures
- Part touching pieces
- Spindle and stroke units
- Automatic tool changer
- Automatic gauge changer
- Marking and lettering equipment
- Additional pregauging
- Additional processing stations (i.e. fluid jetting, brushing, deburring, etc.)

## *Optimization using the Example of Energy Efficiency*

The Gehring conversion kit for electro-mechanical lift drive replaces hydraulic drive on Z-machines. As retrofit solution it enables high stroke speeds and offers an energy-efficient drive solution. The compact design deletes the hydraulic stroke cylinder, control block and controls up to the entire hydraulic equipment. This leads to higher efficiency and saves energy and resources.



*New electro-mechanical stroke*

✉ retrofit@gehring.de  
☎ +49 711 3405-300

## *Tool Reconditioning and Technology*

Continuous, professional tool reconditioning increases the life of the honing tools and guarantees optimal process reliability. Reduce your tooling costs through preventative maintenance and profit from our wealth of experience. Whether Gehrung or other manufacturer: We recondition your honing tool perfectly.

Our services:

- Inspection and reconditioning of tools and abrasives
- Comprehensive support of your production process through combination of reconditioning and technology consulting
- Economic stock management through short reconditioning processes and optimally suited logistics

*For every requirement the appropriate  
reconditioning*

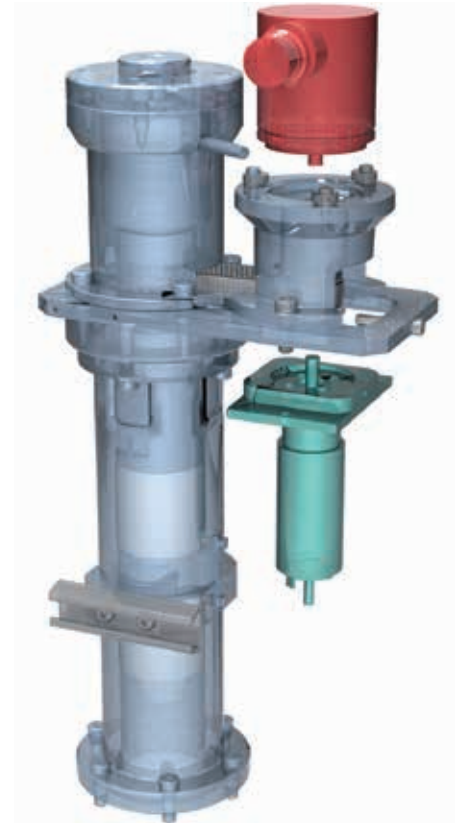
✉ [tooling@gehring.de](mailto:tooling@gehring.de)  
☎ +49 711 3405-145

# *Spare Parts Package on site*

We offer our customers the option of warehousing relevant spare and wear parts for our components directly on site. Our provision of pre-assembled packages guarantees that all necessary components are on hand. Machine availability is thereby increased, downtime and delivery time are effectively minimized. Short term maintenance or independent installation is possible. On request we are pleased to provide time and function-critical spare parts.

Contact our spare parts service.

✉ [spareparts@gehring.de](mailto:spareparts@gehring.de)  
☎ +49 711 3405-411



*Always the ideal component for your machine*



*Available through all channels*



## *Gehring Hotline*

Should you require immediate help, we are available. Our hotline offers fast troubleshooting with direct support. Our experts in the Gehring service center will be pleased to assist you.

✉ [hotline@gehring.de](mailto:hotline@gehring.de)  
☎ +49 711 3405-526



## *Gehring Online Service*

We can connect your attachment through a safe VPN connection directly to our Gehring service center - you decide your access and track the problem solution “step by step”.



## *Preventive Maintenance*

Minimize maintenance and repair costs. Periodic inspections and predetermined coordinated maintenance activities set the groundwork for increased machine availability for production. We assist you with inspection and assess the current condition of the machine. Therewith, potential future problems can be identified and a solution can be found in advance.

## *Alignment/ Adjustment/ Displacement*

High-precision work and gauging are the pre-requisites for precise hone results. Periodic review and geometric alignment of the basic settings of gauge units through our Gehring service technicians, secures permanent high quality and efficiency.

Your machine goes on a trip?  
We provide assistance - worldwide!

✉ [retrofit@gehring.de](mailto:retrofit@gehring.de)  
☎ +49 711 3405-300



*Inspection of your machine*



*We provide comprehensive training –  
Qualify your  
employees*

Consistent production quality and high machine availability can be ensured through qualified personnel. In order to achieve your goals,

we offer extensive training on “all around honing” and increase systematically the competence of your employees.

✉ [training@gehring.de](mailto:training@gehring.de)  
☎ +49 711 3405-410

*We take care about  
**more** than  
just your machine*



**Mechanics**  
+49 711 3405-301  
service@gehring.de



**Electricis**  
+49 711 3405-283  
service@gehring.de



**Retrofit**  
+49 711 3405-380  
retrofit@gehring.de



**Spare Parts**  
+49 711 3405-411  
spareparts@gehring.de



**Training**  
+ 49 711 3405-410  
training@gehring.de



**Hotline**  
+ 49 711 3405-526  
hotline@gehring.de



**Tools**  
+49 711 3405-145  
tooling@gehring.de

## Worldwide Presence

With our presence on three continents and a total of eight subsidiaries, we are very well-positioned and optimally

equipped for the increasing globalization of the world's economy.

In addition, our representatives worldwide can provide competent assistance and are your direct contacts in the market.

We provide local service to our customers and offer in the area of honing technology the ideal solution.



Gehring® Technologies GmbH • Gehringstrasse 28 • D-73760 Ostfildern

Telefon: +49 711/3405-0 • Telefax: +49 711/3405-295 • info@gehring.de • www.gehring.de